

For Residential and Commercial Applications

Job Name		Engineer / Architect	
Job Location		Wholesaler	
Submittal Date		Contractor	

PLB101X 1/4 Turn Push Connect Angle Stop – Compression Outlet

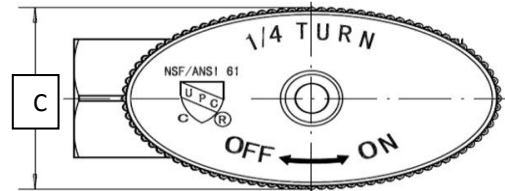
Use: For use only in potable water distribution systems, hot and cold, in accessible locations only

Part Listing:

- PLB101X B 1/2" nom push connect x 3/8" OD compression, chrome plated, bulk
- PLB101X P 1/2" nom push connect x 3/8" OD compression, chrome plated, bagged

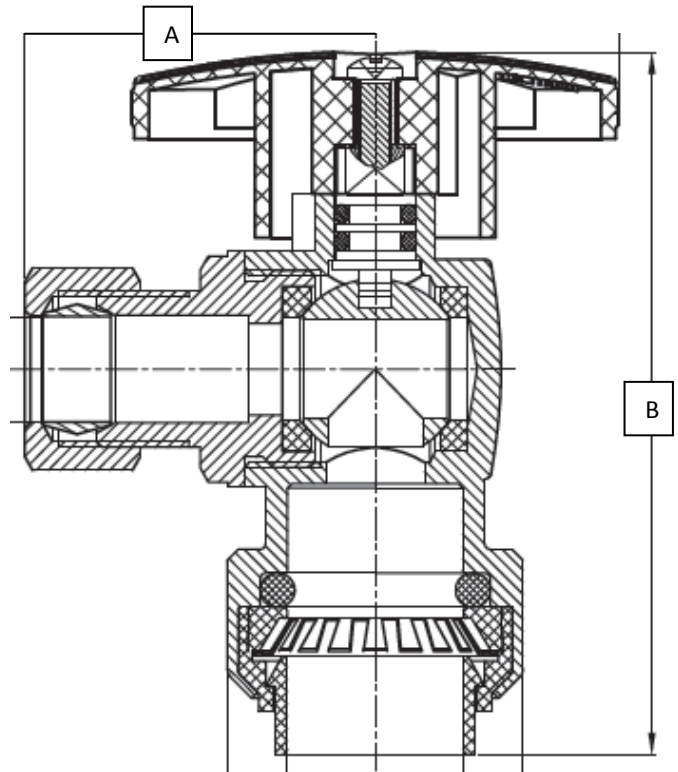


PART DIMENSIONS (Inches)			
Model	DIM. A	DIM. B	DIM. C
PLB101X	1.12	2.48	.94



Operating Specifications	
Temperature	Pressure
Intermittent 40° - 140° F	125 PSI maximum

MATERIAL SPECIFICATIONS	
Body	Brass, chrome plated
Stem	Brass
Ball	Brass, chrome plated
Gripper Ring	Stainless Steel
Push Ring	POM
Seat Ring	POM
Lock Ring	POM
Seats	PTFE
O-Rings	EPDM
Handle	ABS, chrome plated
Screw	Stainless steel
Compression Nut	Brass, chrome plated
Compression Ring	H62
Tube Stiffener	PSU
Adapter	Brass, chrome plated



Listings & Certifications:

- IAPMO listed to ASME A112.18.1 / CSA B125.1 (File #8425)
- IAPMO listed to NSF / ANSI 372 for No-Lead (File #8427)
- IAPMO listed to NSF61 (File #N-8426)



This specification and all information contained herein is the confidential and exclusive property of Brasscraft Manufacturing Co., and shall not be disclosed to others without the written consent of Brasscraft Mfg. Co. This specification must be returned to Brasscraft Mfg. Co. if requested.

400.277 PLB101X 1/4 Turn PushConnect Angle Stop - Compr Outlet REV 01/17

PLUMBSHOP®

© 2017 Brasscraft Mfg. Co.